

HI TOP TRACTOR  
**HD FV2447**

**6x4 · AMT**



**Power/Torque:**  
346kW / 2,227Nm



**Wheelbase:**  
3,860mm (J)



**Suspension:**  
Air

- 30,000km service intervals
- 7.5T tare weight
- Non-synchromesh transmission
- Isringhausen driver's seat

# SPECIFICATIONS - FV2447 HI TOP TRACTOR

## MODEL

6X4 HD FV2447

12 SP. AMT AIR SUSP.

FV54SJR5VFAD

## WHEELBASE (mm)

3,860 (J)

## GVM (kg)

24,000

## GCM (kg)

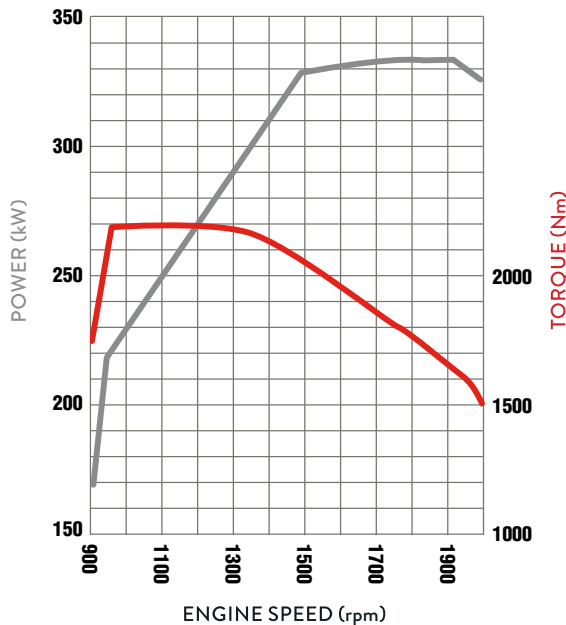
63,000

## ENGINE

|                             |  |
|-----------------------------|--|
| Engine Version              | FUSO OM457-T5 Diesel   |
| Configuration               | 6 Cyl. In-line OHV   |
| Type                        | Waste-gate Turbocharged with Air to Air Intercooled  |
| Displacement                | 12 litre (11967cc)   |
| Power (DIN)                 | 335kW @ 1900rpm  |
| Torque (DIN)                | 2,200Nm @ 1100rpm  |
| Power (JIS Gross)*          | 346kw (470ps) @1900rpm   |
| Torque (JIS Gross)*         | 2,227Nm (1644lbf <sup>ft</sup> ) @1100rpm  |
| Maximum Engine Speed (rpm)  | 2200   |
| Cooling System / Oil Cooler | Water cooled with Viscous fan, 32.0L capacity. Engine oil cooler                             |
| Air Cleaner                 | Paper Element Type with Restrictor Indicator. Vertical Intake Mounted on Clean Air Side (RH) |
| Cold Start Preheat          | Standard   |
| Emission Control            | Selective Catalytic Reduction (SCR)  |
| Emission Level              | Euro 5 (ADR 80/03)   |

\*Calculated

## OM457-T5



## FUEL

|                                   |  |
|-----------------------------------|--|
| Injection System                  | Electronically Controlled Unit Pump Injection  |
| Tank Type                         | Rectangular Steel Tank with Locking Cap        |
| Fuel Capacity (L)                 | 350  |
| Filtration                        | Filter with Water Separator and Dash Indicator |
| AdBlue Exhaust Fluid Capacity (L) | 40 (Tank fitted with locking AdBlue cap)       |

## ELECTRICAL

|                       |                                  |
|-----------------------|----------------------------------|
| Voltage               | 24V Negative Ground              |
| Alternator Capacity   | 24V-80 amp                       |
| Battery Specification | Heavy Duty 2 x 12V, 150Ah / 20hr |
| Headlamp Type         | Halogen 2 x 70W / 70W            |
| Fog Light             | Halogen                          |

## CLUTCH

|                         |                                    |
|-------------------------|------------------------------------|
| Clutch Model            | FUSO MFZ                           |
| Type                    | Twin Plate                         |
| Operation/Specification | Automated Manual (no clutch pedal) |

## TRANSMISSION

|             |  |
|-------------|--|
| Version     | FUSO Automated Manual G330-12 (INOMAT-II)  |
| Type/Speeds | 12 Speed AMT with Auto and Manual Modes<br>Constant Mesh Non Synchronesh Transmission  |
| Features    | Crawler Mode<br>Skip Shift Function for Light Loads<br>ECO Mode to Minimise Fuel Usage<br>Start gear select.<br>Reverse Hi / Low   |
| Ratios      | 1st: 11.639      8th: 2.050<br>2nd: 9.020      9th: 1.598<br>3rd: 7.035      10th: 1.239<br>4th: 5.452      11th: 1.000<br>5th: 4.400      12th: 0.775<br>6th: 3.410<br>7th: 2.645 |
| Reverse     | RHigh: 9.900<br>RLow: 12.774   |
| PTO Opening | Rear   |

## PROPELLER SHAFT

|      |  |
|------|--|
| Type | Single Main Shaft GW5E2200, Inter-axle Shaft P12 |
|------|--|

## FRONT AXLE

|                             |   |
|-----------------------------|---|
| Axle Version                | FUSO F900T "I" Beam                                 |
| Type                        | Reverse Elliot "I" Beam                             |
| Design Capacity (kg)        | 7,100   |
| Max Operating Capacity (kg) | 7,100 (Subject to suitable tyres and certification) |

## FRONT SUSPENSION

|           |  |
|-----------|--|
| Type      | Long Taper Leaf with Double Acting Shock Absorbers |
| Size (mm) | 1,500 x 90 Leaves                                  |

## REAR AXLE

|                             |  |
|-----------------------------|--|
| Type                        | Full Floating Hypoid Type Tandem Drive with Inter-Axle Diff Lock |
| Axle Version                | FUSO D12HT/12H   |
| Design Capacity (kg)        | 21,600   |
| Max Operating Capacity (kg) | 21,600   |
| Ratio                       | 4.222:1  |

# SPECIFICATIONS - FV2447 HI TOP TRACTOR

## REAR SUSPENSION

|                       |  |
|-----------------------|--|
| Type                  | Air Suspension   |
| Details               | Trailing Arm with Air Dump control and Double Acting Shock Absorbers |
| Size Main Leaves (mm) | Air Bags (250mm) x 4   |

## STEERING

|                |   |
|----------------|---|
| Power Assisted | Tilt/Telescopic Adjustable Steering Wheel |
|----------------|---|

## BRAKES

|                        |   |
|------------------------|---|
| Type                   | Full Air Taper Roller Drum Brakes with auto adjust, ABS plus ASR (Traction Control) |
| Size Front / Rear (mm) | 410 x 150 / 410 x 200   |
| Park Brake             | Rear Wheel Spring Actuated  |
| Engine Brake           | 4 Stage Powertard + Exhaust brake with Shift Down Function                          |
| Compressor             | 636cc with air dryer  |
| Trailer Control Lever  | Yes   |
| Air tanks              | Alloy   |

## WHEELS AND TYRES

|                        |                    |
|------------------------|--------------------|
| Wheel Type             | 10 x Alcoa Alloy   |
| Wheel Size             | 22.5 x 8.25DC      |
| Wheel Stud Pattern     | ISO 10 x 335mm PCD |
| Tyre Size Front / Rear | 275 / 70R22.5      |

## CHASSIS

|            |   |
|------------|---|
| Type       | Super Frame Reinforced Parallel Channel |
| Size (mm)  | 300 x 90 x 7.0                          |
| Width (mm) | 840                                     |

## OPTIONS

|         |                                      |
|---------|--------------------------------------|
| Options | Reverse camera and navigation system |
|---------|--------------------------------------|

## INSTRUMENTS

|                            |  |
|----------------------------|--|
| Gauges                     | Speedometer with Odometer<br>Tachometer<br>Air Pressure (2)<br>Fuel Level<br>Water Temperature<br>AdBlue Level |
| Colour Information Display | Fuel Consumption<br>Service Indicators<br>Hour Meter and Tripmeter<br>Oil Level Check                          |

## KERB WEIGHTS AND MAX AXLE LOADS (kg)

| Model   | Vehicle Ratings** |        | Max Axle Loadings** |        | Kerb Weights* |       |       |
|---|-------------------|--------|---------------------|--------|---------------|-------|-------|
|   | GVM               | GCM    | Front***            | Rear   | Front         | Rear  | Total |
| 6x4 HD FV2447 12 Sp. AMT Air Susp. FV54SJR5VFAB | 24,000            | 63,000 | 7,100               | 21,600 | 4,350         | 3,170 | 7,520 |

\* Weights (est.) includes 10L fuel and spare wheel and are subject to 2.5% variation (+/-)

\*\* Vehicle ratings and max axle loadings may be limited by local regulations.

\*\*\* Subject to suitable tyres and certification

## STANDARD FEATURES

|                         |   |
|-------------------------|---|
| Airbag                  | Driver's Air Bag and Seat Belt Pre-tensioner  |
| Hill Start System       | Yes   |
| Speed Limiter 100km/hr  | Activated by dealer   |
| Cab Cooling and Heating | Climate Control   |
| Accessory Power         | 24V Accessory Power Outlet/Cigar Lighter  |
| Driving                 | Keyless Central Locking<br>Cruise Control<br>Electric Windows<br>LH Transom Window<br>Cup Holders<br>Fluorescent Cabin Lamp and Interior Reading Lamps<br>Engine Idle Speed Control |
| Audio                   | Multi Media 6.1" Touch screen audio with AM/FM/DAB radio, Bluetooth, USB Port and DVD player  |
| Storage                 | Large Centre Storage Console<br>Rear Bunk Storage Pocket<br>Dash Storage Tray 2 DIN<br>Overhead Console boxes   |
| Chassis                 | Reverse Warning Buzzer  |

## CAB FEATURES

|                     |   |
|---------------------|---|
| Type                | All Steel Forward Control Electric / Hydraulic Tilt Cab   |
| Cab Structure       | Meets ECE-R29 European Cab Strength (max front axle weight 6.5T); Door Side Impact Beams                          |
| Mounting            | 4 point Air Suspended Front and Rear  |
| Doors               | 90deg Opening   |
| Colour              | Natural White (W31)   |
| Windscreen          | Laminated Tinted<br>Rear Quarter Glass  |
| Windscreen Wipers   | 2 Speed + Intermittent Cycle with Integrated Washer Nozzles   |
| Rear Vision Mirrors | Remote Control / Heated with Convex Spotter (Both Sides)  |
| Seating Capacity    | 2   |
| Seat Belts          | Lap Sash Belts  |
| Seat (driver)       | ISRI Air Suspension with Auto Levelling, Height, Tilt and Dampening Adjustment                                    |
| Seats (passenger)   | Bucket seat with Integral Headrest and Fabric Trim  |
| Interior            | Fully trimmed with rear bunk mattress<br>Carpet on floor; Curtains  |
| External            | Roof Mounting Points (max. static load 50kg)<br>Front End-Outline Marker Lamps<br>Lift up front maintenance panel |

## SERVICE INTERVALS

Please contact your nearest Fuso dealer for details

## WARRANTY

36 months or 250,000km (whichever occurs sooner)  
Subject to terms and conditions in the Fuso Warranty Booklet

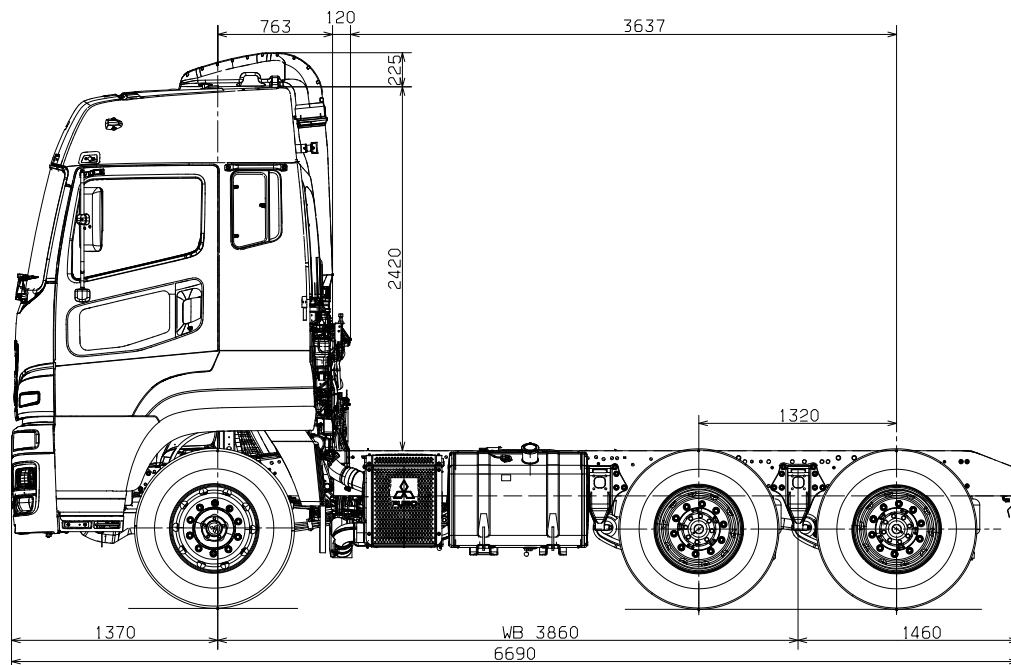
# SPECIFICATIONS - FV2447 HI TOP TRACTOR

## PERFORMANCE

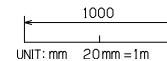
|  |   |
|--|---|
| Turning Circle (kerb to kerb - metres)   | 12.8  |
| Road Speed (km/h) at Max Engine Speed    | 118   |
| Engine Speed (rpm) 90km/hr (top gear)    | 1695  |
| Gradeability at Rated GCM (theoretical)* | 25%   |
| Notes                                    | *This is theoretical performance only. Actual performance may vary under different conditions |

## DIMENSIONS (mm)

|                           |                               |
|---------------------------|-------------------------------|
| Wheelbase                 | 3,860                         |
| Length Overall            | 6,690                         |
| Height Overall            | 3,610                         |
| Width Overall             | 2,490                         |
| Width Rear Axle           | 2,485                         |
| Width Front Track         | 2,075                         |
| Width Rear Track          | 1,865                         |
| Width Frame               | 840                           |
| Height Frame at Rear Axle | Air Suspension Inflated = 983 |



**HD FV2447 HI TOP TRACTOR- 'J' WHEELBASE**



Scale = 1:50 (20mm = 1 metre). This scale is accurate when used on the original spec sheet, be aware that enlarging these illustrations can alter the scale and cause incorrect measurements. Fuso New Zealand and its authorised dealers always recommend customers seek professional advice from independent sources before commencing any engineering activities.

A policy of continual improvement means that specifications detailed in this brochure are subject to change without notice. Contact your authorised Fuso dealer to confirm current specifications. Fuso is a registered trademark of Mitsubishi Fuso Truck & Bus Corporation. Copyright © Fuso NZ (2017)