

MEDIUM WHEELBASE

FIGHTER FN2428

6x4 • MANUAL OR ALLISON AUTO



GVM:
23,500kg



Power/Torque:
207kW/802Nm



Wheelbase:
4,300mm (K) / 5,650mm (R)

- 30,000km service intervals
- Light tare - 12T nominal payload
- Isringhausen driver's seat
- High fuel-efficient engine

SPECIFICATIONS - FIGHTER FN2428 MWB

MODEL

| | | | | |
|------------|-------|------|-------------|-------------|
| 6x4 FN2428 | 9 SP. | MAN | STEEL SUSP. | FN62FK2RFAK |
| 6x4 FN2428 | 6 SP. | AUTO | STEEL SUSP. | FN62FK2RFAM |
| 6x4 FN2428 | 6 SP. | AUTO | STEEL SUSP. | FN62FR2RFAM |

WHEELBASE (mm)

| |
|-----------|
| 4,300 (K) |
| 4,300 (K) |
| 5,650 (R) |

GVM (kg) (optional)

| |
|-----------------|
| 23,500 (18,000) |
| 23,500 (18,000) |
| 23,500 (18,000) |

GCM (kg)

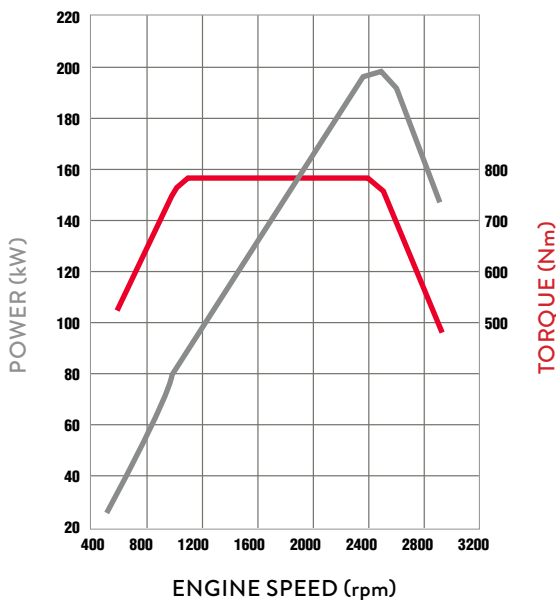
| |
|--------|
| 34,000 |
| 34,000 |
| 34,000 |

ENGINE

| | |
|----------------------------|--|
| Engine Version | FUSO 6M60-9AT2 Diesel |
| Configuration | 6 Cyl. In-line OHC, 4-Valve |
| Type | Variable Geometry Turbo Charged Air to Air Intercooler |
| Displacement | 7.5 litre (7,545cc) |
| Power ECE Nett | 199kW @ 2500rpm |
| Torque ECE Nett | 785Nm @ 1100-2400rpm |
| Power (JIS Gross)* | 207kW (281ps) @ 2500rpm |
| Torque (JIS Gross)* | 802Nm (592lb/ft) @ 1100-2400rpm |
| Maximum Engine Speed (rpm) | 2900 |
| Compression Ratio | 16.0:1 |
| Cooling System/Oil Cooler | Water cooled with Viscous fan, 23.0L capacity. Engine oil cooler |
| Air Cleaner | Paper Element Type with Restrictor Indicator. Vertical Intake Mounted on Clean Air Side (RH) |
| Cold Start Preheat | Standard |
| Emission Control | Selective Catalytic Reduction (SCR) after-treatment system (BlueTec), Positive Crankcase Ventilation (PCV) |
| Emission Level | Euro 5 (ADR 80/03) |

*Calculated

6M60-9AT2



FUEL

| | | |
|-----------------------------------|---|---|
| Injection System | DENSO Common Rail System Electronically Controlled Direct Injection | |
| Tank Type | K Wheelbase | R Wheelbase |
| | Rectangular Steel Tank with Locking Cap | Rectangular Alloy Tank with Locking Cap |
| Fuel Capacity (L) | 200 | 400 |
| AdBlue Exhaust Fluid Capacity (L) | 40 | 40 |

ELECTRICAL

| | |
|-----------------------|--------------------------------|
| Voltage | 24V Negative Earth |
| Alternator Capacity | 24V-80 amp |
| Battery Specification | Heavy Duty 2 x 12V, 100Ah/20hr |
| Headlamp Type | Halogen 2 x 70W/75W |

CLUTCH

| | |
|-------------------------|---------------------------------|
| | Manual |
| Clutch Model | FUSO C7M38 |
| Type | Single Plate Cerametallic 380mm |
| Operation/Specification | Air Assisted Hydraulic |

TRANSMISSION

| | Manual | Auto | |
|--------------------------------------|--|---|--|
| Version | Eaton Manual ES-11109 (Fuso Code M060S9) | Allison Automatic MD3500 (M100A6) | |
| Type/Speeds | 9 Speed | 6 Speed | |
| Features | Synchromesh 1L-4H | Generation 5 Control Systems | |
| Ratios | Low Range Low: 12.64 1st: 8.81 2nd: 6.55 3rd: 4.77 4th: 3.55 | High Range 1st: 2.48 2nd: 1.85 3rd: 1.34 4th: 1.00 Rev: 13.21 | 1st: 4.593 2nd: 2.257 3rd: 1.535 4th: 1.000 5th: 0.749 6th: 0.651 Rev: 4.999 |
| Torque Converter/ Stall Torque Ratio | N/A | TC415/2.35 | |
| Automatic Transmission Fluid Cooling | N/A | 2 Chassis Mounted Coolers (LH and RH Side) | |
| PTO Opening | LH Side and Rear | 4 o'clock and 8 o'clock | |

PROPELLER SHAFT

| | |
|-----------------|---------------|
| Type | P140/P8 |
| Universal Joint | Needle Roller |

FRONT AXLE

| | |
|-----------------------------|---------------------|
| Axle | FUSO F650T "I" Beam |
| Design Capacity (kg) | 6,500 |
| Max Operating Capacity (kg) | 6,500 |

FRONT SUSPENSION

| | |
|-----------|---|
| Type | Taper Leaf with Double Acting Shock Absorbers |
| Size (mm) | 1,400 x 80 Leaves |

REAR AXLE

| | | |
|-----------------------------|--|-------------|
| Type | Full Floating Hypoid, Tandem Drive with Inter-Axle Diff Lock | |
| Axle Version | FUSO D10HT/10H | |
| Design Capacity (kg) | 21,600 | |
| Max Operating Capacity (kg) | 21,600 | |
| Ratio | Manual | Auto |
| | 5.142:1 | 6.166:1 |

SPECIFICATIONS - FIGHTER FN2428 MWB

REAR SUSPENSION

| | |
|-----------------------|--------------------------------|
| Type | Mechanical Suspension |
| Details | Long Taper Leaf, 6 Rod Trunion |
| Size Main Leaves (mm) | 1,320 x 90 |

STEERING

| | |
|----------------|---|
| Power Assisted | Tilt/Telescopic Adjustable Steering Wheel |
|----------------|---|

BRAKES

| | |
|------------------------|--|
| Type | Full Air, Dual Circuit, FUSO Taper Roller, Automatic Brake adjustment, ABS |
| ASR (Traction Control) | Yes (Not available on auto model) |
| Size Front/Rear (mm) | 410 x 150 / 410 x 200 |
| Park Brake | Rear Wheel Spring Actuated |
| Auxiliary | Exhaust Brake |
| Compressor | Water Cooled, 340cc Single Cylinder with air dryer |

WHEELS AND TYRES

| | |
|--------------------|-----------------------------|
| Wheel Type | 11, Single Piece Steel Disc |
| Wheel Size | 22.5 x 8.25DC-165-13t |
| Wheel Stud Pattern | 10 stud 335mm PCD |
| Tyre Size All | 11R22.5 |
| Spare Tyre Carrier | Provided |

CHASSIS

| | |
|------------|--|
| Type | Reinforced Parallel Channel |
| Size (mm) | 280 x 90 x 8.0 |
| Width (mm) | 851 (includes outer frame reinforcement) |

INSTRUMENTS

| | |
|----------------------------|--|
| Gauges | Speedometer with Odometer, Tachometer Air Pressure (2), Fuel Level, Water Temperature |
| Colour Information Display | Fuel Consumption, Service Indicators Hour Meter and Tripmeter |

STANDARD FEATURES

| | |
|-------------------------|---|
| Airbag | Driver's Air Bag and Seat Belt Pre-tensioner |
| Hill Start System | Yes (Not available on auto model) |
| Cab Cooling and Heating | Air Conditioner / Heater / Demister |
| Accessory Power | 24V Accessory Power Outlet / Cigar Lighter |
| Driving | Keyless Central Locking Electric Windows; Cruise Control LH Transom Window AM/FM CD + USB + AUX + Bluetooth Hands Free |
| Driving (continued) | Cup Holders (4), Rear Quarter Glass Fluorescent Cabin Lamp and Interior Reading Lamps, Engine Idle Speed Control |

STANDARD FEATURES (continued)

| | |
|---------------|--|
| Storage | Centre Seat Storage Console, Rear Bunk Storage Pocket, Dash Storage Tray 2 DIN Glove Compartment, 1 Single and 1 Double DIN Slot for Accessory, Overhead Storage Pocket with Lid RH Door Storage Pocket |
| Cab: External | Roof Mounting Points (max. static load 70kg) Front End-Outline Marker Lamps |
| Chassis | Chassis Mounted Tool Box Reverse Warning Buzzer |

CAB FEATURES

| | |
|---------------------|--|
| Type | All Steel Forward Control Manual Tilt 44 deg. |
| Mounting | Hydroelastic Susp. 4 Point |
| Colour | Natural White (W31) |
| Interior | Fully Trimmed |
| Windscreen | Laminated Tinted |
| Windscreen Wipers | 2 Speed + Intermittent Cycle with Integrated Washer Nozzles |
| Door | 90 degree Opening Angle |
| Rear Vision Mirrors | Remote Control / Heated with Convex Spotter (Both Sides) |
| Seating Capacity | 3 |
| Seat Belts | Lap Sash Belts for Outside Seating Positions Lap Belt for Centre Seat |
| Seat (driver) | ISRI Air Suspension with Auto Levelling, Height, Tilt and Dampening Adjustment Integral Headrest and Fabric Trim |
| Seats (passenger) | Centre: Low Back with Fabric Trim and forward folding; Far Passenger: Fixed Base with Reclining Seat Back, Integral Headrest and Fabric Trim |

SERVICE INTERVALS

Please contact your nearest Fuso dealer for details

WARRANTY

36 months or 200,000km (whichever occurs sooner)
Subject to terms and conditions in the Fuso Warranty Booklet

PERFORMANCE

| | Manual | Auto |
|--|--|--------------------------------------|
| Turning Circle (kerb to kerb - metres) | 15.6 | K Wheelbase 15.6 R Wheelbase 18.0 |
| Electronically Speed Limited to: | 100km/hr | 100km/hr |
| Engine Speed (rpm) at 90km/hr (top gear) | 2,185 | 1,895 |
| Gradeability at Rated GVM (theoretical)* | 37% | 36% |
| Gradeability at Rated GCM (theoretical)* | 24% | 24% |
| Notes | *This is theoretical performance only. Actual performance may vary under different condition | |

KERB WEIGHTS AND MAX AXLE LOADS (kg)

| Model | | Vehicle Ratings** | | Max Axle Loadings** | | Kerb Weights* | | |
|-----------------------------------|----------------|-------------------|--------|---------------------|--------|---------------|-------|-------|
| | | GVM | GCM | Front | Rear | Front | Rear | Total |
| 6x4 FN2428 9 Sp. Man Steel Susp. | FN62FK2RFAK | 23,500 | 34,000 | 6,500 | 21,600 | 3,035 | 3,650 | 6,685 |
| 6x4 FN2428 6 Sp. Auto Steel Susp. | FN62FK2RFAM | 23,500 | 34,000 | 6,500 | 21,600 | 3,080 | 3,725 | 6,805 |
| 6x4 FN2428 6 Sp. Auto Steel Susp. | FN62FR2RFAM | 23,500 | 34,000 | 6,500 | 21,600 | 3,330 | 3,810 | 7,140 |
| 6x4 FN1828 9 Sp. Man Steel Susp. | FN62FK2RFAK(D) | 18,000 | 34,000 | 6,500 | 21,600 | 3,035 | 3,650 | 6,685 |
| 6x4 FN1828 6 Sp. Auto Steel Susp. | FN62FK2RFAM(D) | 18,000 | 34,000 | 6,500 | 21,600 | 3,080 | 3,725 | 6,805 |
| 6x4 FN1828 6 Sp. Auto Steel Susp. | FN62FR2RFAM(D) | 18,000 | 34,000 | 6,500 | 21,600 | 3,330 | 3,810 | 7,140 |

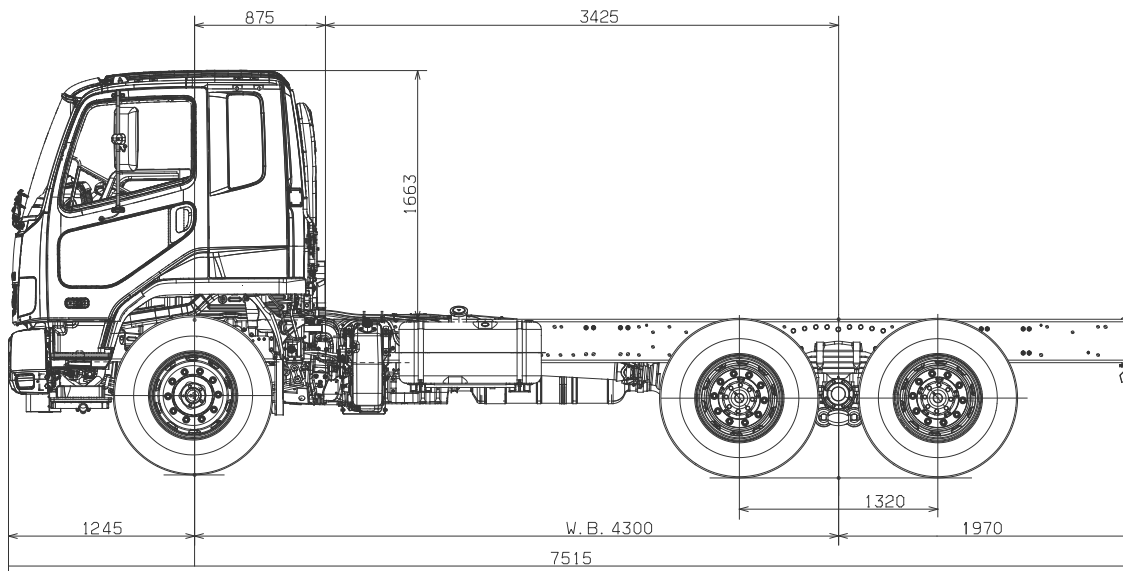
* Weights (est.) includes 10L fuel and spare wheel and are subject to 2.5% variation (+/-)

** Vehicle ratings and max axle loadings may be limited by local regulations.

SPECIFICATIONS - FIGHTER FN2428 MWB

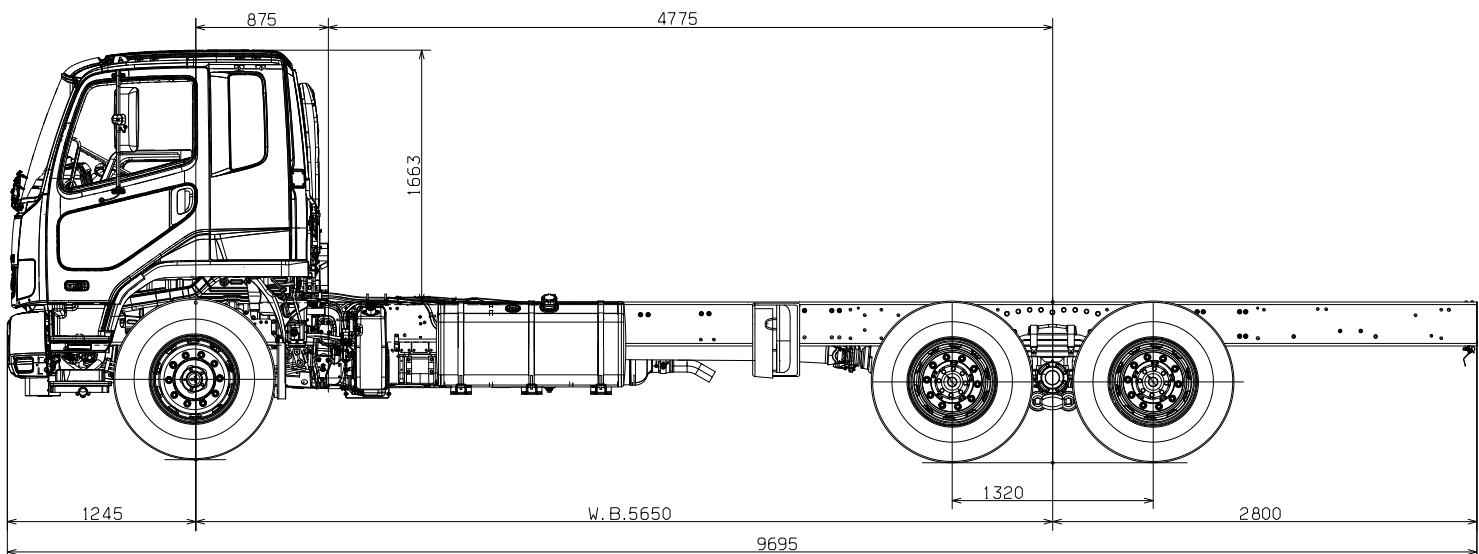
DIMENSIONS (mm)

| | K Wheelbase | R Wheelbase | | K Wheelbase | R Wheelbase |
|-----------------|-------------|-------------|---------------------------|-------------|-------------|
| Wheelbase | 4,300 | 5,650 | Width Front Track | 1,925 | 1,925 |
| Length Overall | 7,515 | 9,695 | Width Rear Track | 1,850 | 1,850 |
| Height Overall | 2,675 | 2,670 | Width Frame | 851 | 851 |
| Width Overall | 2,470 | 2,470 | Height Frame at Rear Axle | 1,037 | 1,035 |
| Width Rear Axle | 2,470 | 2,470 | | | |



FIGHTER FN2428 – 'K' WHEELBASE

1000
UNIT: mm 20mm=1m



FIGHTER FN2428 – 'R' WHEELBASE

1000
UNIT: mm 20mm=1m

Scale = 1:50 (20mm = 1 metre). This scale is accurate when used on the original spec sheet, be aware that enlarging these illustrations can alter the scale and cause incorrect measurements. Fuso New Zealand and its authorised dealers always recommend customers seek professional advice from independent sources before commencing any engineering activities.

A policy of continual improvement means that specifications detailed in this brochure are subject to change without notice. Contact your authorised Fuso dealer to confirm current specifications. Fuso is a registered trademark of Mitsubishi Fuso Truck & Bus Corporation. Copyright © Fuso NZ (2017)